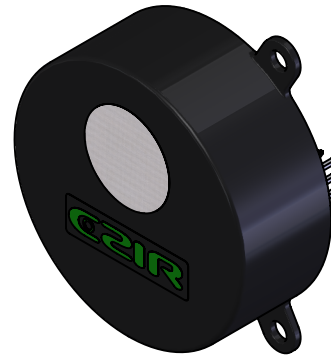


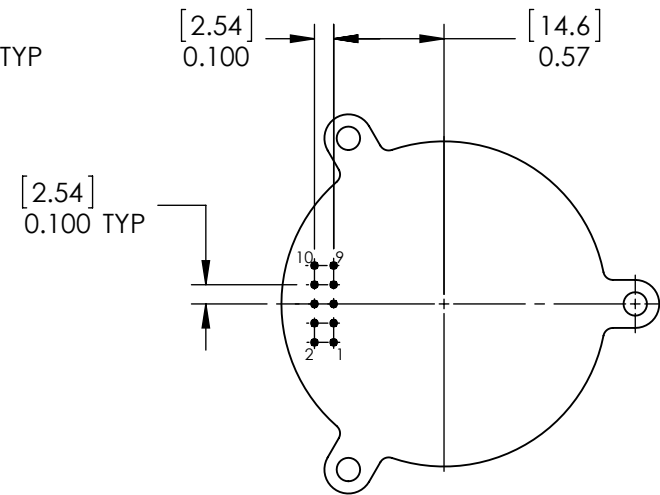
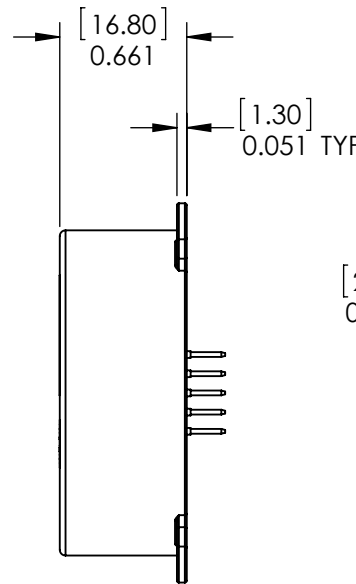
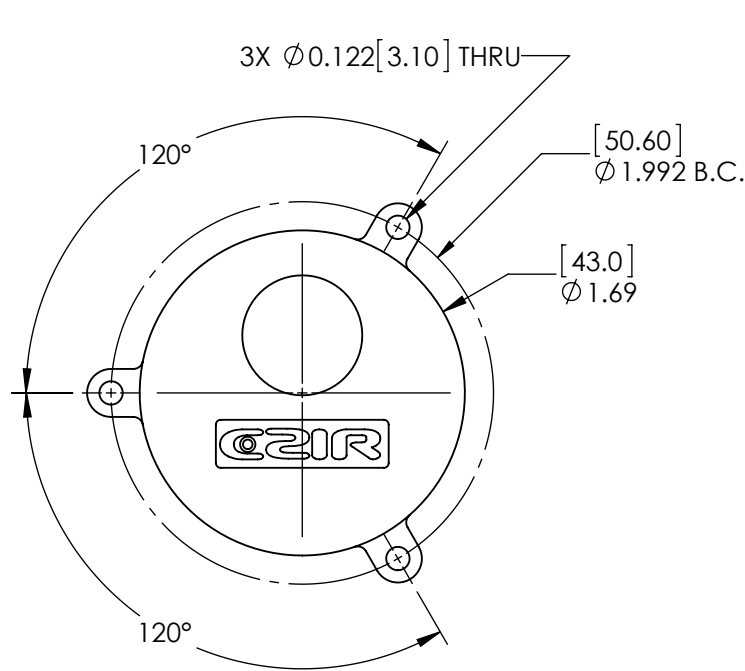
APPLICABLE MODELS BELOW:

SKU #	DESCRIPTION
GC-0010	0 - 2,000 PPM
GC-0011	0 - 5,000 PPM
GC-0012	0 - 10,000 PPM



TERMINALS

PIN #	FUNCTION
1	GND
2	N/C
3	3.3 VDC (NOM.)
4	N/C
5	Rx
6	N/C
7	Tx
8	NITROGEN ZERO
9	ANALOG (0.1 - 3.3V)
10	FRESH AIR ZERO



NOTES:

- DO NOT SCALE FROM THIS DRAWING.
- PRIMARY UNITS IN INCHES (IN), DUAL UNITS IN MILLIMETERS (MM).
- SENSOR SURFACE APPEARANCES FOR ILLUSTRATION PURPOSES ONLY.

131 Business Center
Building A-3
Ormond Beach, FL



Toll free: 877.678.4259
Fax: 866.422.2356
www.co2meter.com

Title
COZIR AMBIENT CO2 SENSOR, 2/5/10K

APPROVALS	DATE	SIZE	PART NO.	REV
DRAWN JMC	2/19/2014	A	VDD-0025	-
CHECKED MV	2/20/2014	SCALE 1:1	THIRD ANGLE PROJECTION	SHEET SHEET 1 OF 1