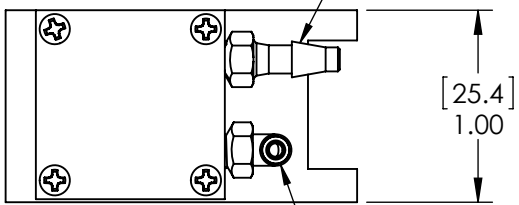
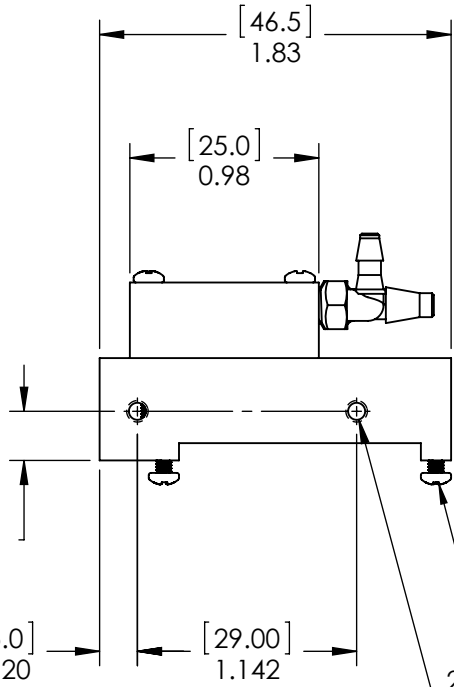
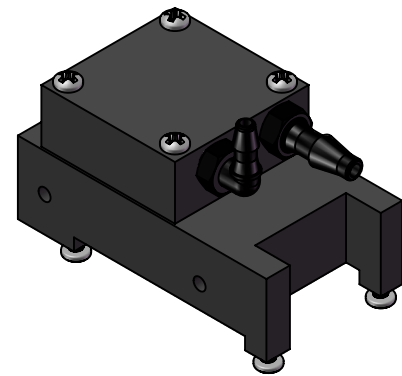


1/8" I.D. TUBE BARB FITTING

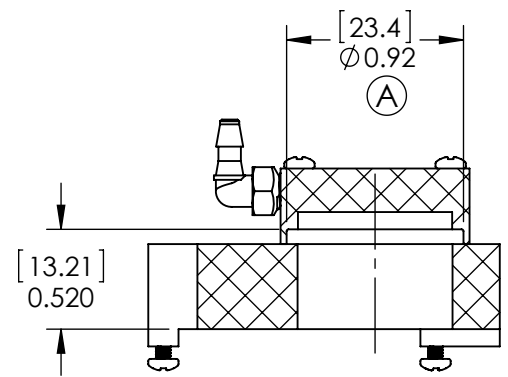
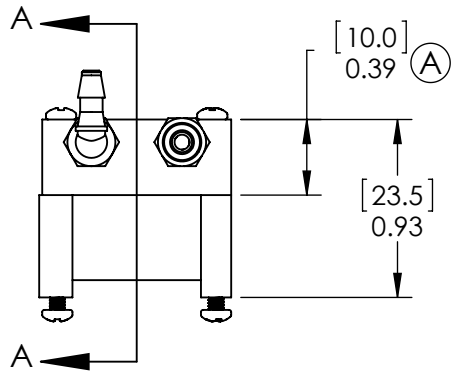


1/8" I.D. TUBE BARB ELBOW FITTING



4X M2 PAN HEAD SCREW
(FOR BOARD MOUNT)

2X 4-40 UNC ∇ 0.30
TYP BOTH SIDES



SECTION A-A

NOTES:

1. DO NOT SCALE FROM THIS DRAWING.

U.S. DIMENSIONS ARE IN **INCHES**. DUAL DIMENSIONS ARE IN **MILLIMETERS [mm]**.

DECIMAL TOLERANCES ARE:
 .X ± 0.1in [2.5mm]
 .XX ± 0.01in [0.25mm]
 .XXX ± 0.002in [0.05mm]
 .XXXX ± 0.0005in [0.01mm]

63
FINISH (MICRO INCHES)

ANGLE TOLERANCES: ± 1°

131 Business Center
Building A-3
Ormond Beach, FL



Toll free: 877.678.4259
Fax: 866.422.2356
www.co2meter.com

Title **COZIR Sensor Tube Cap Adapter**

REV.	DESCRIPTION	DATE	BY
A	UPDATED TUBE CAP INFORMATION	1/29/2015	JMC PER AR
-	INITIAL RELEASE	4/26/2012	JMC

REVISIONS

MATERIAL DELTRIN(R)
COLOR BLACK

APPROVALS	DATE
DRAWN JMC	4/26/2012
CHECKED MV	7/18/2012

SIZE A	PART NO CM-0013	REV A
SCALE 1:1	THIRD ANGLE PROJECTION	SHEET SHEET 1 OF 1