

1

2

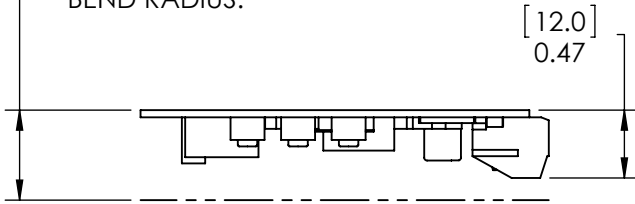
3

4

5

6

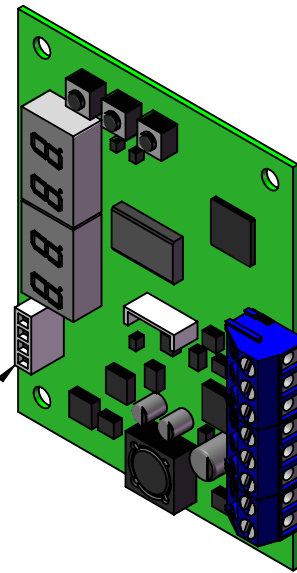
ALLOW AT LEAST 5/8" CLEARANCE TO FIT BOARD AND SENSOR CABLE BEND RADIUS.



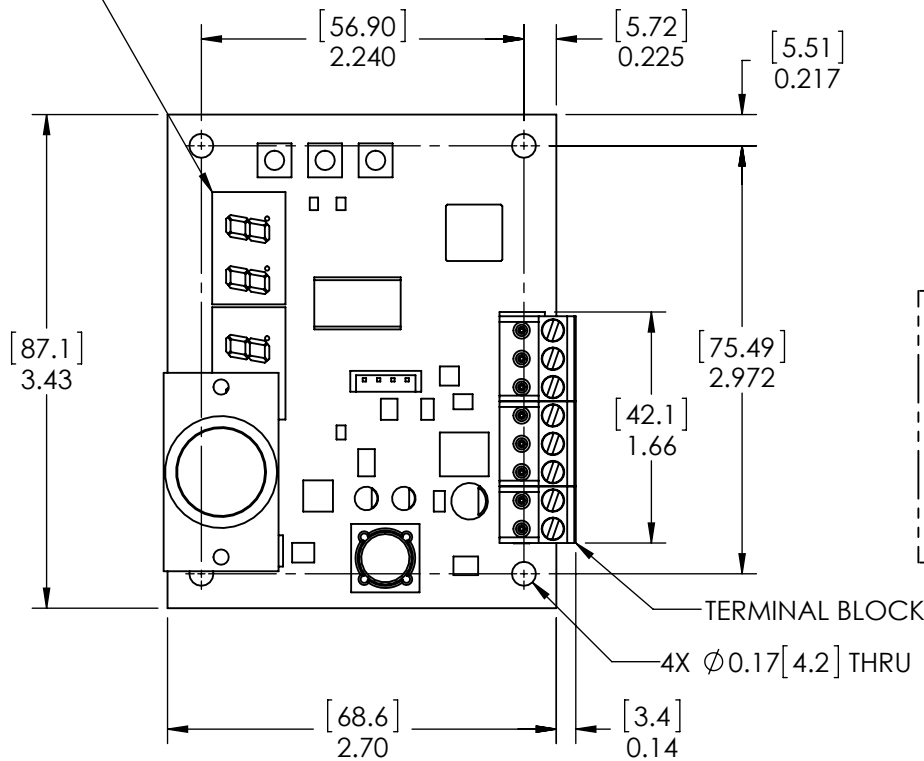
APPLICABLE MODELS BELOW:

SKU #	DESCRIPTION
CM-0134	25% O2
CM-0134-WT	25% O2, WITH SAMPLING TUBE
CM-0150	25% O2, WITH MOUNT SHIELD
CM-0160	95% O2
CM-0160-WT	95% O2, WITH SAMPLING TUBE
CM-0161	95% O2, WITH MOUNT SHIELD

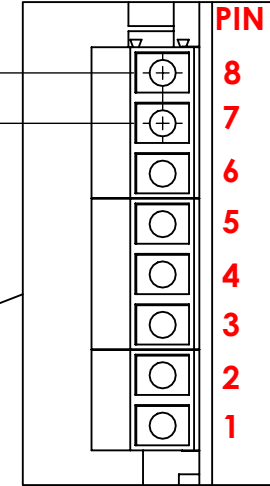
SENSOR CONNECTOR (SEE SHEET 2)



LED DISPLAY



[5.0] 0.20 TYP



DETAIL A SCALE 4:3

TERMINALS

PIN #	FUNCTION
1	VDC, G-
2	VDC, G+
3	4-20mA, SIG
4	4-20mA, GND
5	RS-485, A
6	RS-485, B
7	RS-485, GND
8	RESET

NOTES:

- DO NOT SCALE FROM THIS DRAWING.
- ELECTRONIC COMPONENTS SHOWN FOR ILLUSTRATION PURPOSES ONLY. SOME COMPONENTS OMITTED FOR CLARITY.

131 Business Center Building A-3 Ormond Beach, FL



Toll free: 877.678.4259 Fax: 866.422.2356 www.co2meter.com

Title TR250Z OXYGEN SENSOR DEVELOPMENT KIT

APPROVALS	DATE	SIZE	PART NO.	REV
DRAWN JMC	9/29/2014	A	VDD-0033	-
CHECKED MV	10/6/2014	SCALE	3:4	THIRD ANGLE PROJECTION

1

2

3

4

5

6

NOTES:

- DO NOT SCALE FROM THIS DRAWING.
- ELECTRONIC COMPONENTS SHOWN FOR ILLUSTRATION PURPOSES ONLY. SOME COMPONENTS OMITTED FOR CLARITY.

APPLICABLE MODELS BELOW:

SKU #	DESCRIPTION
CM-0134	25% O2
CM-0134-WT	25% O2, WITH SAMPLING TUBE
CM-0150	25% O2, WITH MOUNT SHIELD
CM-0160	95% O2
CM-0160-WT	95% O2, WITH SAMPLING TUBE
CM-0161	95% O2, WITH MOUNT SHIELD

A

B

C

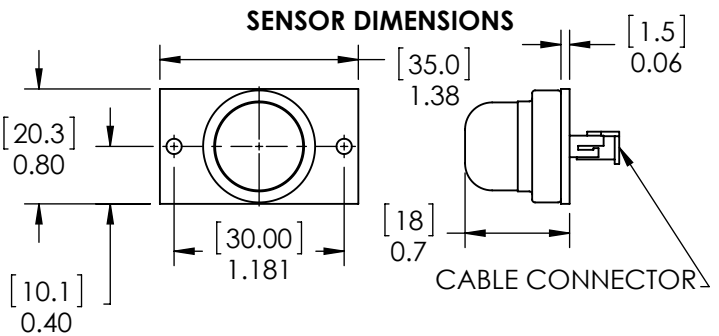
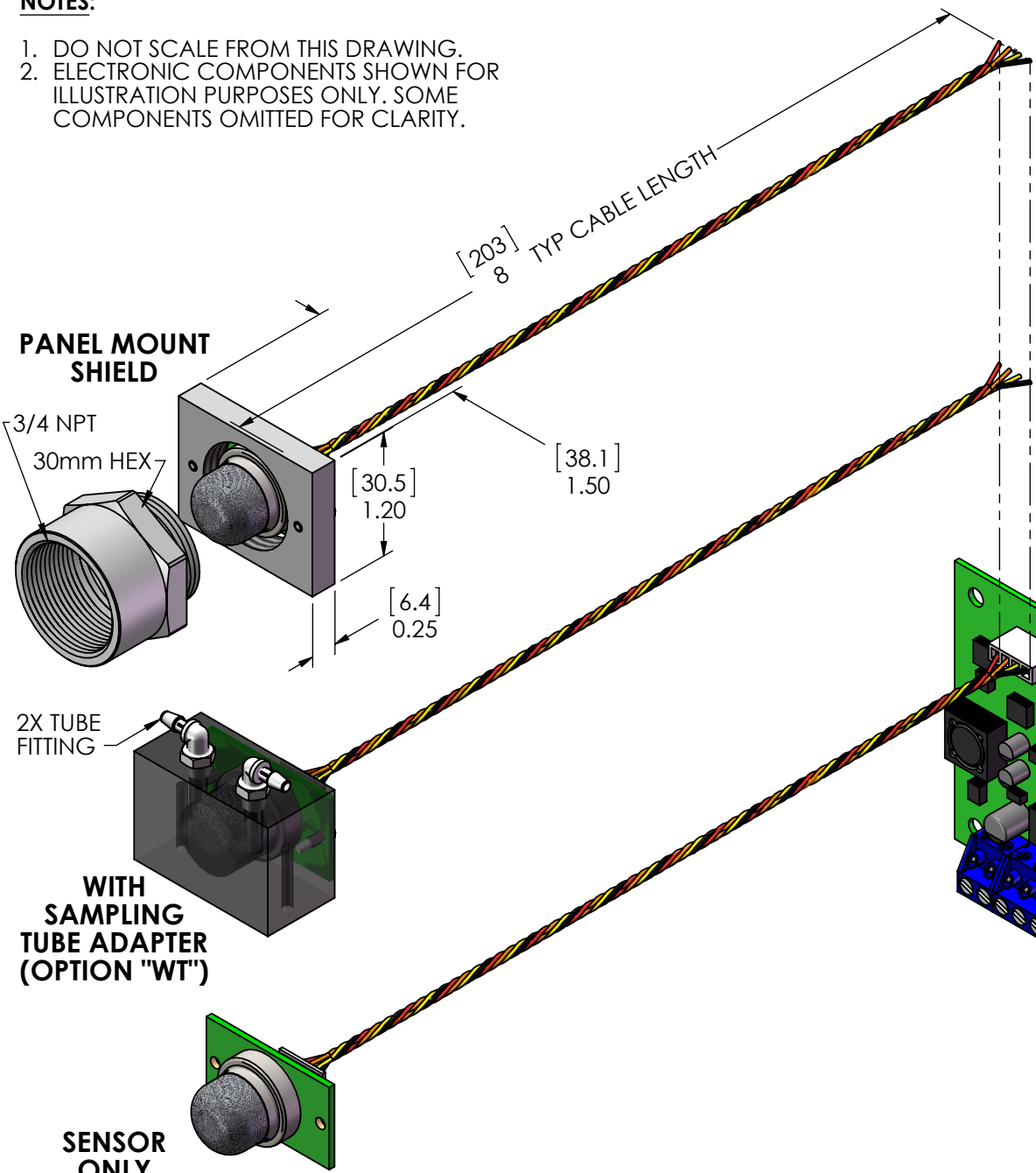
D

A

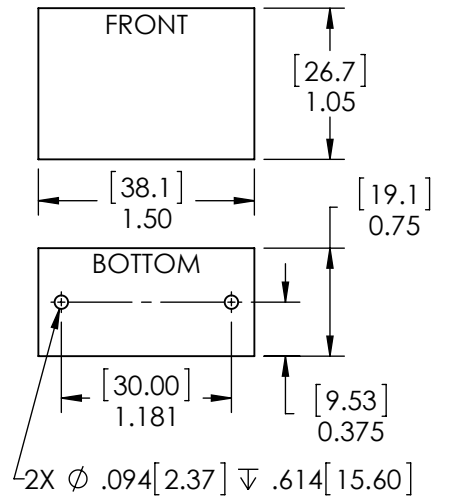
B

C

D



SAMPLING TUBE ADAPTER DIMENSIONS



131 Business Center Building A-3 Ormond Beach, FL
CO2Meter.com CO2 Measurement Specialists
 Toll free: 877.678.4259 Fax: 866.422.2356 www.co2meter.com

Title: **TR250Z OXYGEN SENSOR DEVELOPMENT KIT**

APPROVALS	DATE	SIZE	PART NO.	REV
DRAWN JMC	9/29/2014	A	VDD-0033	-
CHECKED MV	10/6/2014	SCALE	3:4	THIRD ANGLE PROJECTION
				SHEET SHEET 2 OF 2