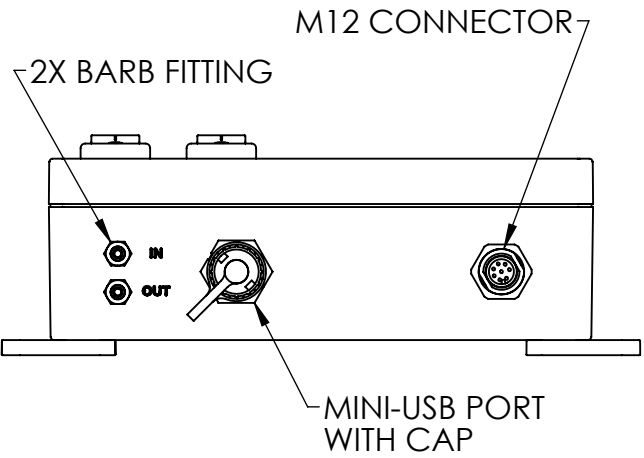
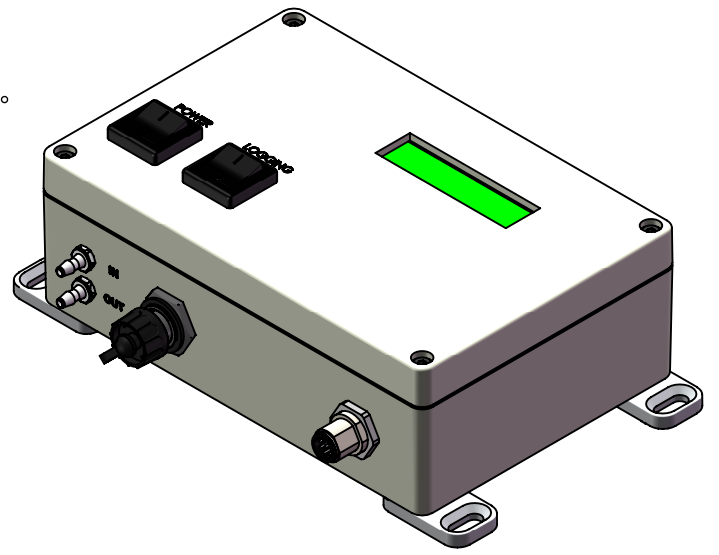
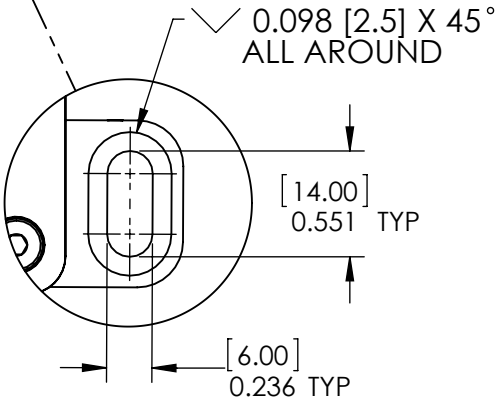
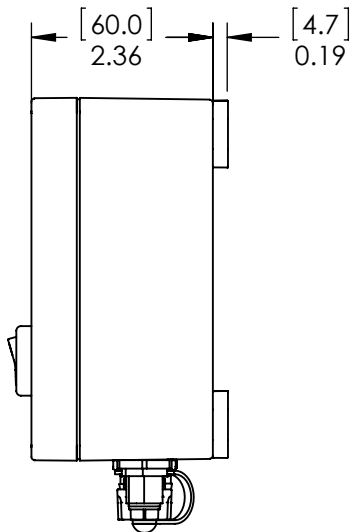
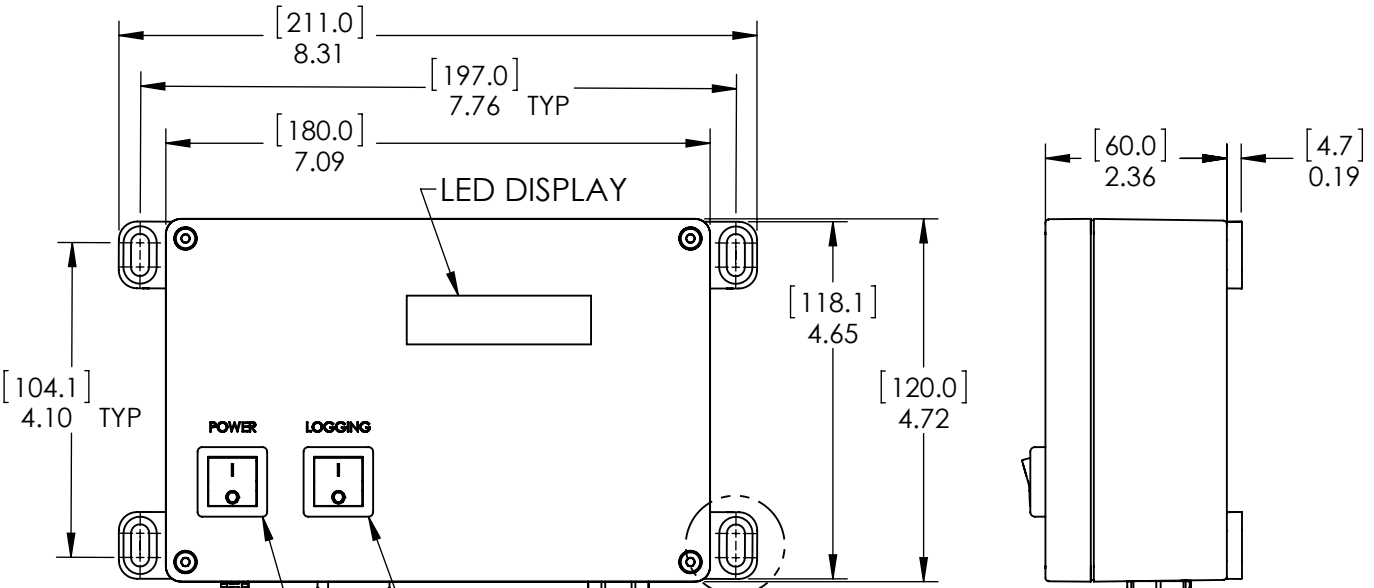



APPLICABLE MODELS BELOW:			
SKU #	TYPE	CO2	CH4
CM-0178	NEMA 4	50%	100%



NOTES:
1. DO NOT SCALE FROM THIS DRAWING.

131 Business Center Building A-3 Ormond Beach, FL		 Indoor Air Quality Products		Toll free: 877.678.4259 Fax: 866.422.2356 www.co2meter.com	
Title					
CO2/CH4 SAMPLING DATA LOGGER - NEMA4					
APPROVALS		DATE		SIZE	
DRAWN JMC		4/27/2013		A	
CHECKED				PART NO. VDD-0013	
				REV -	
		SCALE 2:5		THIRD ANGLE PROJECTION	
				SHEET SHEET 1 OF 1	