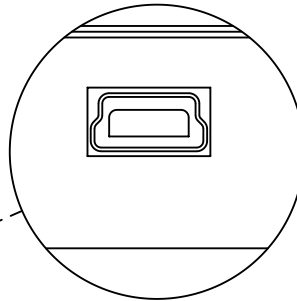
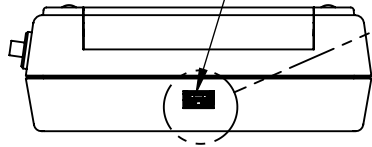


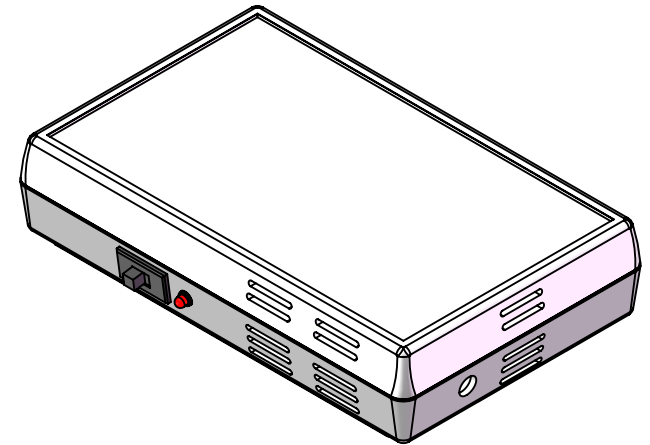
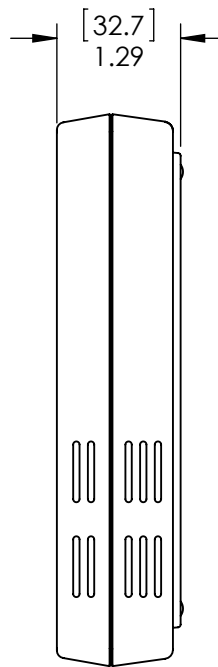
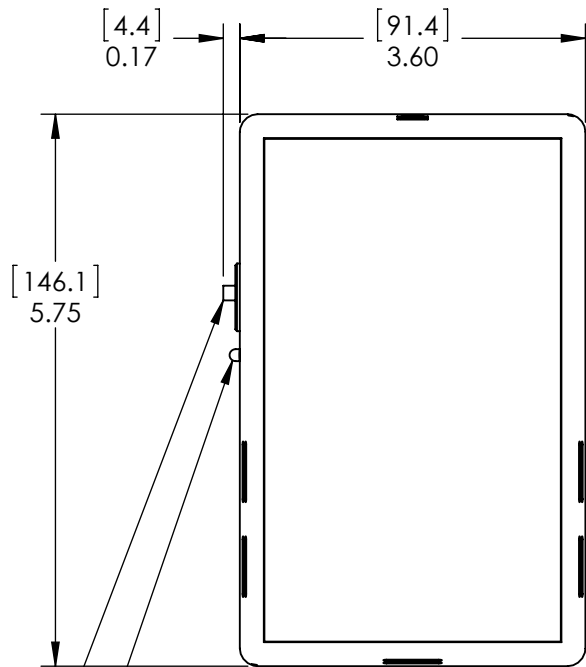
MINI USB CONNECTOR
FOR DATA TRANSFER AND
POWER CHARGING



DETAIL A
SCALE 2 : 1

APPLICABLE MODELS BELOW:

SKU #	CO2
CM-0018	1%
CM-0019	30%



POWER ON INDICATOR LED

POWER ON/OFF
SWITCH

NOTES:

1. DO NOT SCALE FROM THIS DRAWING.

131 Business Center
Building A-3
Ormond Beach, FL



Toll free: 877.678.4259
Fax: 866.422.2356
www.co2meter.com

Title PORTABLE DATA LOGGER

APPROVALS	DATE MM/DD/YY	SIZE	PART NO.	REV
DRAWN JMC	2/7/2013	A	VDD-0007	-
CHECKED MV	2/7/2013	SCALE 1:2	THIRD ANGLE PROJECTION	SHEET SHEET 1 OF 1