

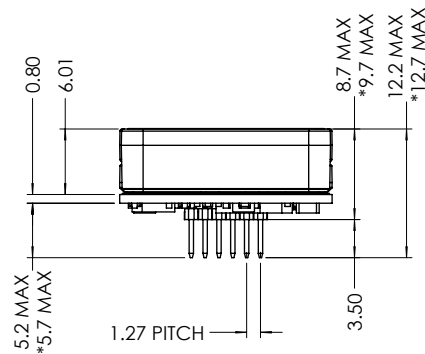
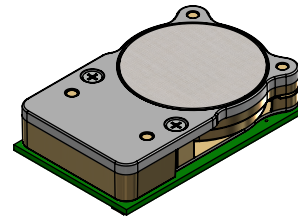
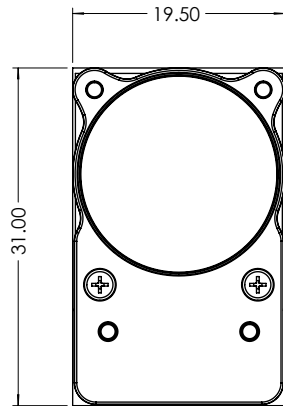
Technical Drawings



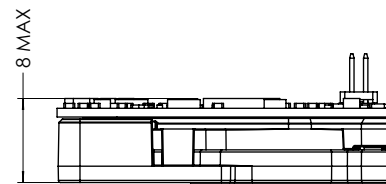
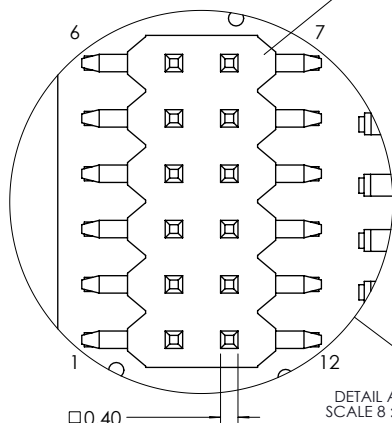
CO2METER.COM
CO2 MEASUREMENT SPECIALISTS

CozIR® -Blink

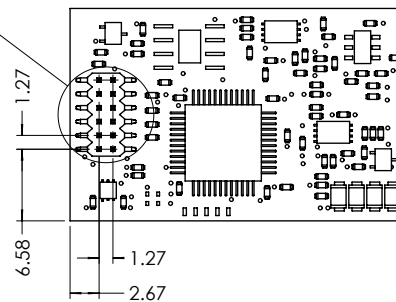
THIS INFORMATION SUPPLIED BY CO2Meter
IS BELIEVED TO BE ACCURATE AND RELIABLE.
HOWEVER NO RESPONSIBILITY IS ASSUMED BY CO2Meter, Inc. FOR ITS USE.



GCT BD095-12A-K0-0350-0050-0550
CONNECTOR



FUNCTION	PIN #	PIN #	FUNCTION
READY	6	7	GPIO FUNCTIONS TBD
NC	5	8	
Tx OUT	4	9	
Rx IN	3	10	I2C - SCL I2C - SDA
V+	2	11	
GND	1	12	



(* REPRESENTS PROTOTYPE SENSOR ASSEMBLY DIMENSIONS.)

USE OF A CONNECTOR IS RECOMMENDED. SOLDER FUMES MAY COAT
OPTICAL SURFACES AND IMPAIR PERFORMANCE.